

Simplicity Bubblers
Chilled Beverage Dispensers 1x18 L,
agitator model with locking lid and UK
plug

ITEM # _____

MODEL # _____

NAME # _____

SIS # _____

AIA # _____


600926 (ECS1D22UKX)

 Chilled Beverage Dispenser
 with 1x18 l bowl, agitator and
 locking lid, R290 - UK plug

Short Form Specification

Item No. _____

Chilled beverage dispenser, 1x18lt, with agitation function for fresh juices, coffees, or teas with minimal foaming system. 18lt easy-clean bowl with 23cm cup clearance. Easy-off bowl release system for faster and easier assembly and disassembly. Bowls with locking lid for added safety against tampering.

Temperature range from 1.7 - 5° C. Pre-mix dispenser with stainless steel base and clear plastic bowls.

Delivered with UK plug.

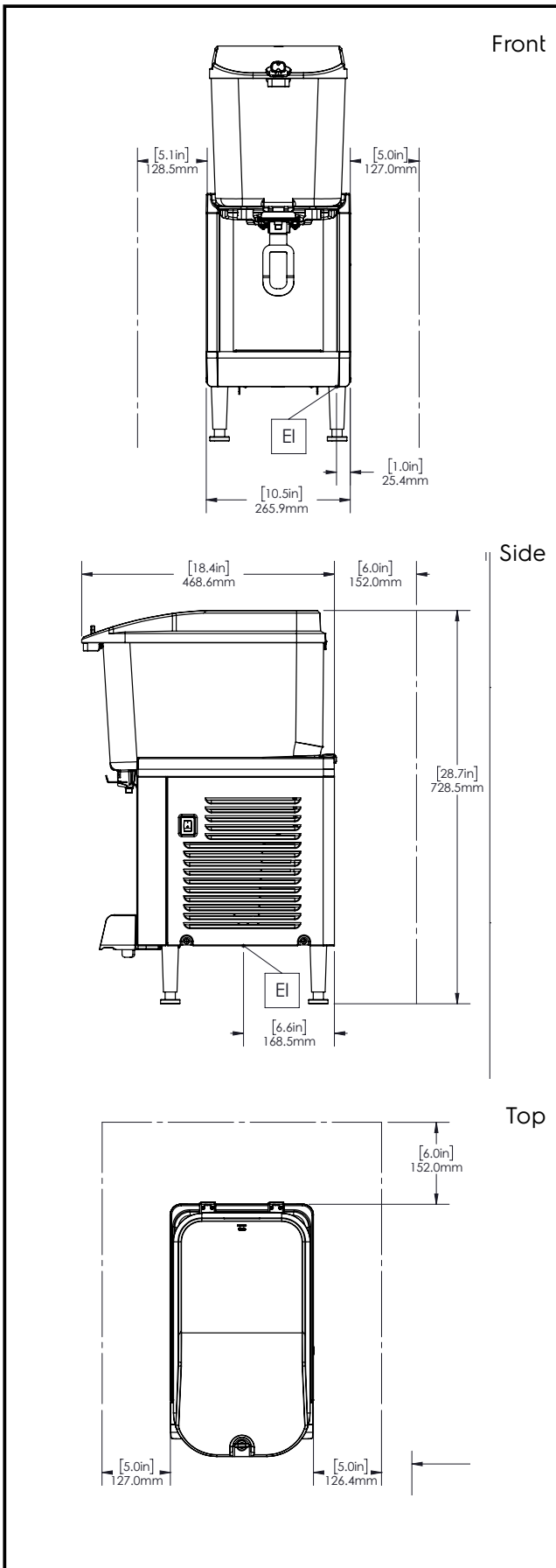
Main Features

- Agitation function for fresh juices, coffees, or teas with minimal foaming system.
- Easy-off bowl release system for faster and easier assembly and disassembly.
- User friendly design enables machine to dispense product till the very last drop.
- Dispense 18 L in easy-clean bowl with 23 cm cup clearance.

Construction

- Pre-mix dispenser with stainless steel base and clear plastic bowls.
- Compact size of 27 cm wide saves valuable counter space.
- Fewer removable parts to simplify cleaning and reduce maintenance.
- Temperature range from 1.7 - 5° C.
- The air intakes from the bottom and exhaust to back.
- Locking lid for added safety against tampering.
- Refrigerant type: R290.

APPROVAL: _____



Electric

Supply voltage:
 600926 (ECS1D22UKX) 230 V/1N ph/50/60 Hz
 Electrical power max.: 0.4 kW

Key Information:

External dimensions, Width: 267 mm
 External dimensions, Depth: 451 mm
 External dimensions, Height: 729 mm
 Net weight: 20 kg
 Shipping weight: 24 kg
 Shipping height: 640 mm
 Shipping width: 500 mm
 Shipping depth: 390 mm

Refrigeration Data

Refrigerant type: R290